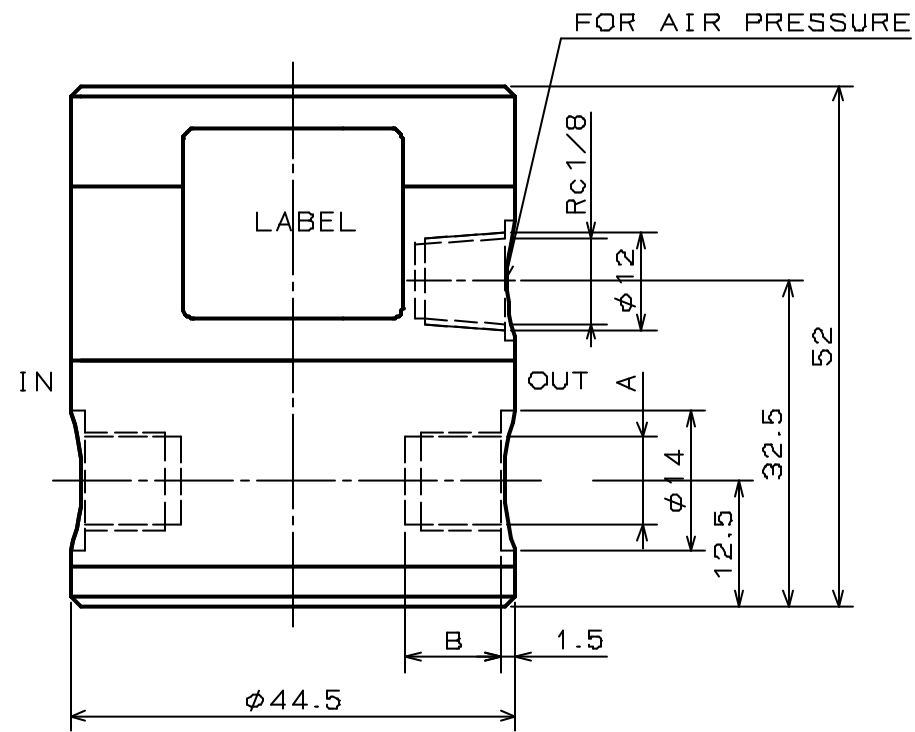


FOR REFERENCE ONLY



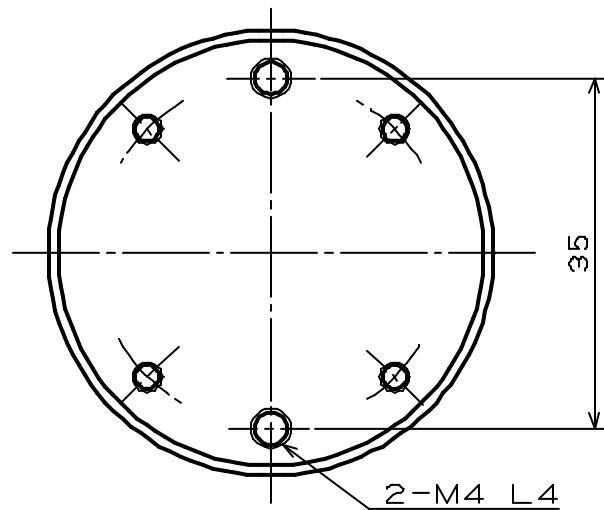
PNEUM CLEAN VALVE

SPECIFICATIONS FOR MODEL PDT-4(5)C1(2)

ORIFICE DIAMETER	: 4mm, 5mm
PORT CONNECTION	: Rc 1/8, Rc 1/4
OPERATING PRESSURE RANGE	: IN 0 ~ 300kPa OUT 0 ~ 100kPa
FLOW MEDIA	: FLUIDS CHEMICALLY COMPATIBLE WITH MATERIALS BELOW
MEDIA TEMPERATURE RANGE	: 0 ~ 60°C
AIR PRESSURE FOR ACTUATION	: 300 ~ 600kPa

MODEL NUMBERS :

MODEL NUMBER	ORIFICE DIAMETER	PORT CONNECTION(A)	B
PDT-4C1	$\phi 4$	Rc 1/8	8
PDT-4C2	$\phi 4$	Rc 1/4	9.5
PDT-5C1	$\phi 5$	Rc 1/8	8
PDT-5C2	$\phi 5$	Rc 1/4	9.5



WETTED MATERIALS

PART NAME	MATERIAL	REQD.	NOTE
DIAPHRAGM	PTFE	1	
VALVE BODY	PTFE	1	

PNEUM CLEAN VALVE

PDT-4(5)C1(2)