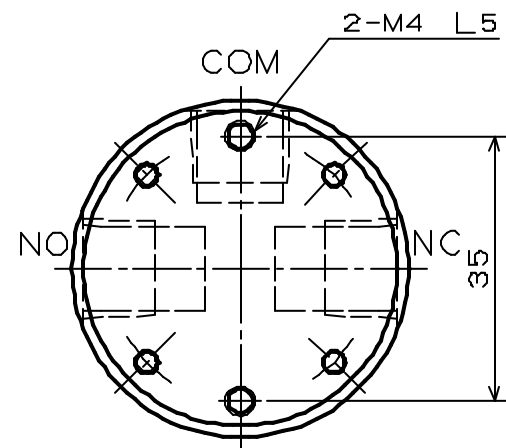
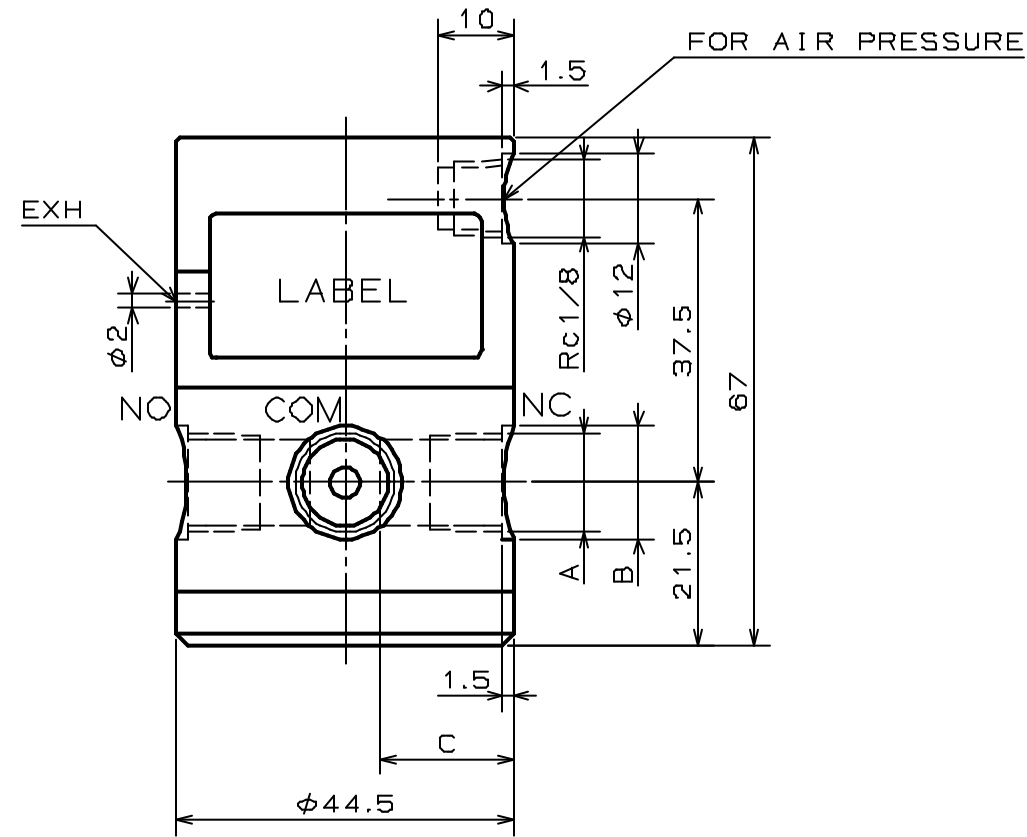


FOR REFERENCE ONLY



## PNEUM CLEAN VALVE

SPECIFICATIONS FOR MODEL PDT-4(5)E1(2)

ORIFICE DIAMETER	: 4mm, 5mm
PORT CONNECTION	: Rc1/8, Rc1/4
OPERATING PRESSURE RANGE	: COM 0 ~ 300kPa NC, NO 0 ~ 150kPa
FLOW MEDIA	: FLUIDS CHEMICALLY COMPATIBLE WITH MATERIALS BELOW
MEDIA TEMPERATURE RANGE	: 0 ~ 80°C
AIR PRESSURE FOR ACTUATION	: 300 ~ 600kPa
FOR AIR PRESSURE	: Rc1/8

### MODEL NUMBERS

MODEL NUMBER	ORIFICE DIAMETER	PORT CONNECTION(A)	B	C
PDT-4E1	φ4	Rc1/8	12	8
PDT-4E2	φ4	Rc1/4	15	9.5
PDT-5E1	φ5	Rc1/8	12	8
PDT-5E2	φ5	Rc1/4	15	9.5

### WETTED MATERIALS

PART NAME	MATERIAL	REQD.	NOTE
STEM	PCTFE	1	
VALVE BODY	PTFE	1	
DIAPHRAGM	PTFE	2	

PNEUM CLEAN VALVE  
PDT-4(5)E1(2)