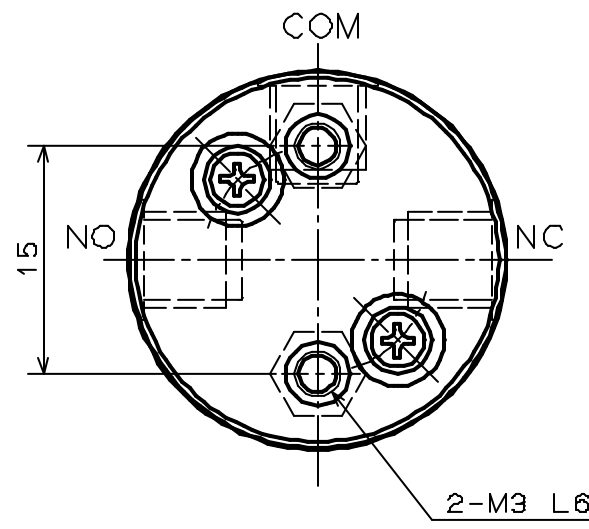
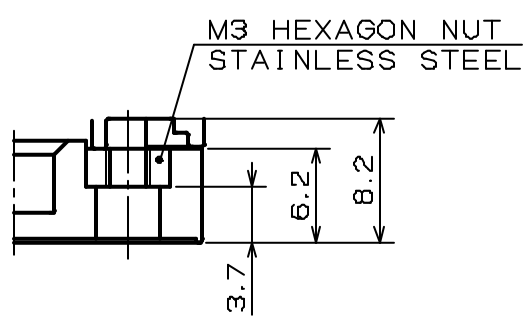
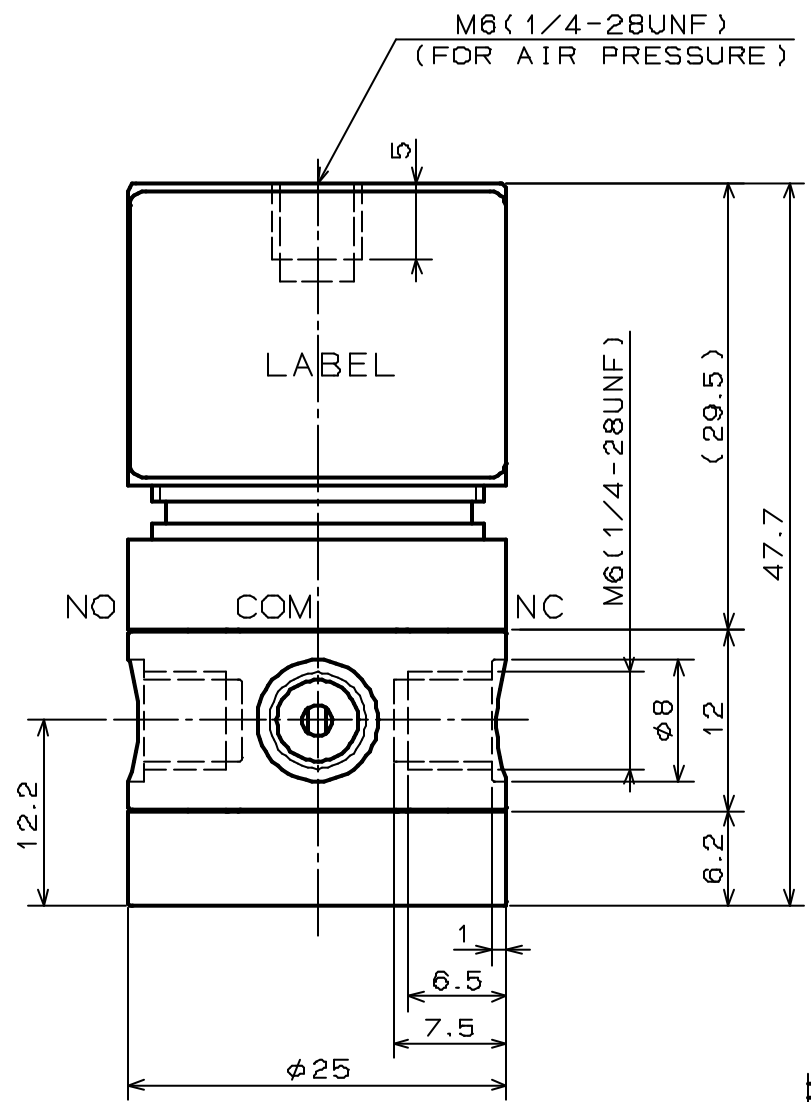


FOR REFERENCE ONLY



## PNEUM CLEAN VALVE

SPECIFICATIONS FOR MODEL PMDP-3-M6(1/4U)K(R)G

- ORIFICE DIAMETER : 1.8mm
- PORT CONNECTION : M6, 1/4-28UNF
- OPERATING PRESSURE RANGE : COM 0 ~ 400kPa  
NC, NO 0 ~ 100kPa
- FLOW MEDIA : FLUIDS CHEMICALLY COMPATIBLE WITH MATERIALS BELOW
- MEDIA TEMPERATURE RANGE : 5 ~ 60°C
- AMBIENT TEMPERATURE RANGE : 5 ~ 60°C
- AIR PRESSURE FOR ACTUATION : 300 ~ 600kPa

### MODEL NUMBERS

MODEL NUMBER	VALVE BODY & STEM MATERIAL	PORT CONNECTION	PORT CONNECTION FOR AIR PRESSURE
PMDP-3-M6RG	PPS	M6	M6
PMDP-3-1/4URG	PPS	1/4-28UNF	1/4-28UNF
PMDP-3-M6KG	PEEK	M6	M6
PMDP-3-1/4UKG	PEEK	1/4-28UNF	1/4-28UNF

### MOUNTING HOLE DETAILS

### WETTED MATERIALS

PART NAME	MATERIAL	REQD.	NOTE
DIAPHRAGM	PTFE	2	
SOFT SEAL	DAI EL PERFLUOR	2	
STEM	PPS/PEEK	1	
VALVE BODY	PPS/PEEK	1	

PNEUM CLEAN VALVE  
PMDP-3-M6(1/4U)K(R)G